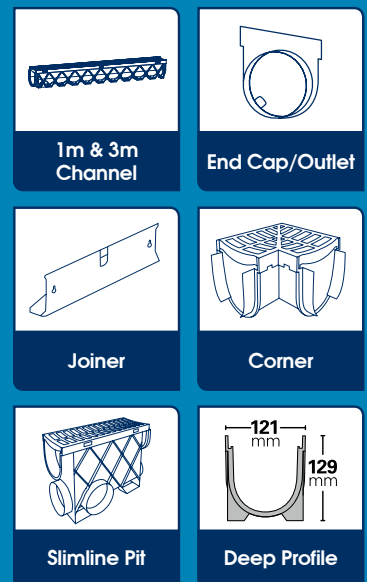
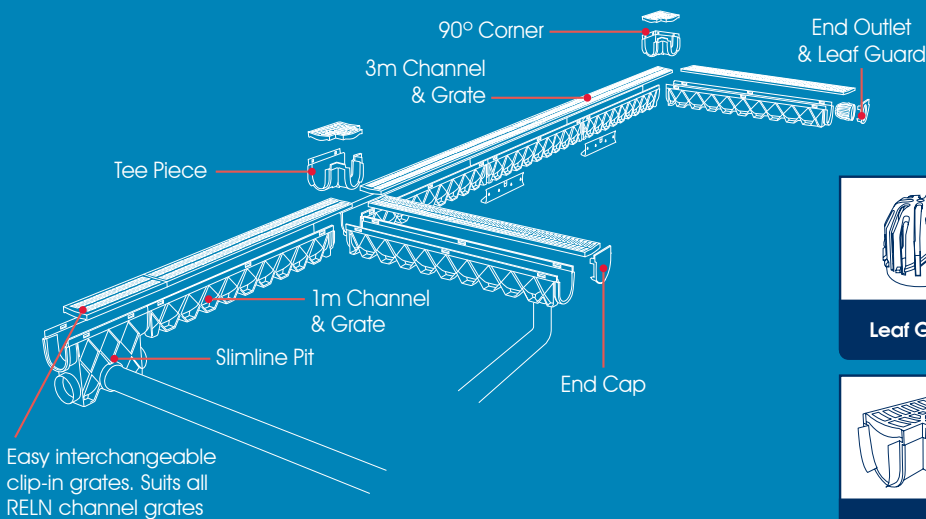


RELN
**Storm
 DRAIN™**

Complete Drainage System

- Ideal for paths, driveways and domestic areas with corners & † sections
- Made in Australia from tough, durable and light-weight, UV-stabilised recycled plastic
- Hold down feet to stop floatation during pouring of concrete
- Available in 1m & 3m lengths, plus a whole range of accessories
- All grates comply to Australian Standards

Components:

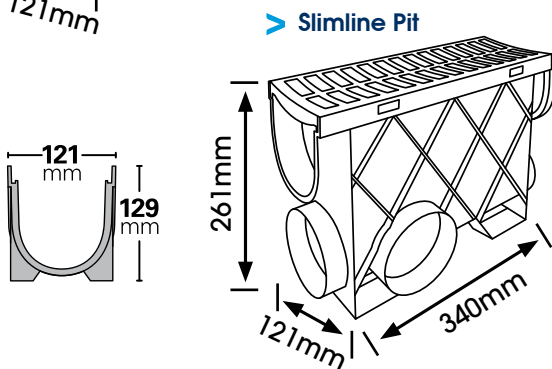
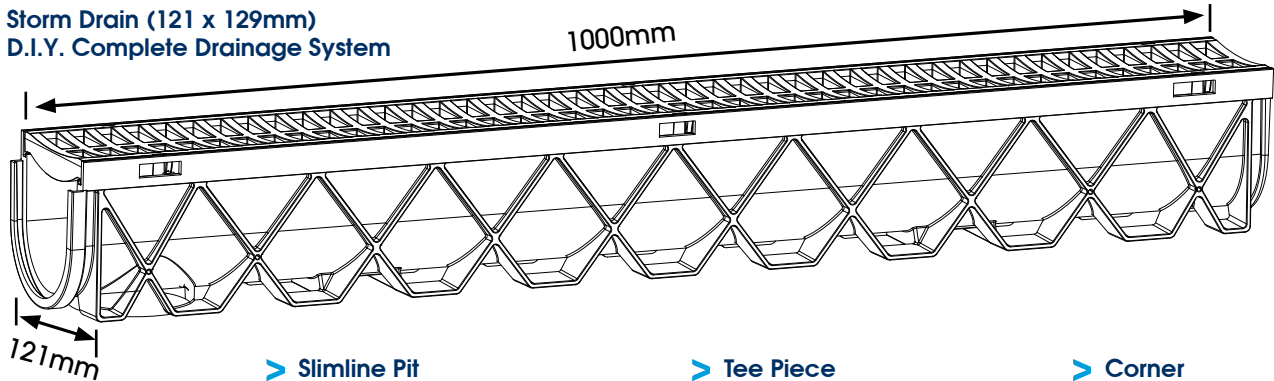


Storm Drain - D.I.Y. Complete Drainage System

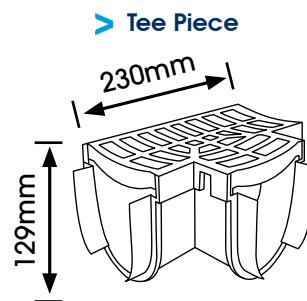


RELN Storm Drain is the complete DIY drainage system designed for paths, driveways and any domestic areas with corners and T sections. With a complete range of accessories available and easily interchangeable clip in grates, Storm Drain is designed to make life easy!

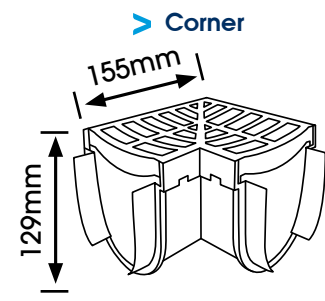
> Storm Drain (121 x 129mm) D.I.Y. Complete Drainage System



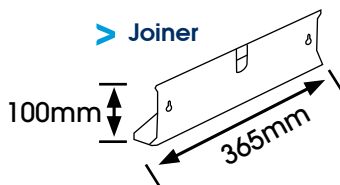
> Slimline Pit



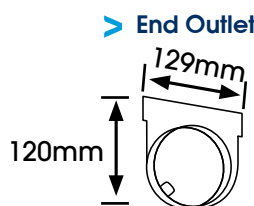
> Tee Piece



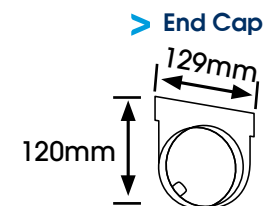
> Corner



> Joiner



> End Outlet



> End Cap

- Ideal for paths, driveways and domestic areas with corners and T sections
- Designed to withstand 5 tonne vehicle weight when correctly installed
- Tough, durable and lightweight UV stabilised recycled plastic
- Available in 1m and 3m lengths
- 100% recycled material
- Australian Made
- Available in all RELN grates
- Easily interchangeable clip in grates
- Hold down feet to stop floatation during pouring of concrete
- Bottom outlet, End Outlet and Slimline pit can be glued to 90mm PVC stormwater pipe

- Leaf Guard prevents blocking outlets and pipes for use on channel and Slimline Pit
 - 90° corner and T-piece for left or right extensions
- Easy clip-together joining for all Storm Drain range accessories

Grate Options: (11.3cm x 2.5cm x 1m): Plastic in Black, Sandstone, Terracotta, Portland Grey and Heritage Green. Black Heel Guard Plastic, Architectural, Stainless Steel, Galvanised Steel, Civil Ductile Iron

Range: 1m and 3m Channels, Slimline Pit, Joiner, Leaf Guard, End Outlet, 90° Corner, End Cap, Tee Piece, Bottom Outlet, Garage Pack

Displays: Hang Pad and Flyer available

> Frequently Asked Questions

Q1. What is the best grate for slow moving, heavy, commercial vehicles?

A. Storm Mate and Storm Drain can both be fitted with RELN's Ductile Iron Civil grate which has a Class C wheel loading when installed correctly. Storm Master has its own industrial strength Galvanised Steel Class B grate available in traditional and heel guard variations.

Q2. What is the best grate for pedestrian heavy areas?

A. Storm Mate and Storm Drain can both be fitted with RELN's Heel Guard plastic grate or RELN's 316 Stainless Steel

Architectural grate. Both have a residential wheel loading when installed correctly up to 1.5 Tonne. Storm Master has its own Galvanised Steel Heel Guard Anti-Slip grate with a Class B wheel loading when installed correctly.

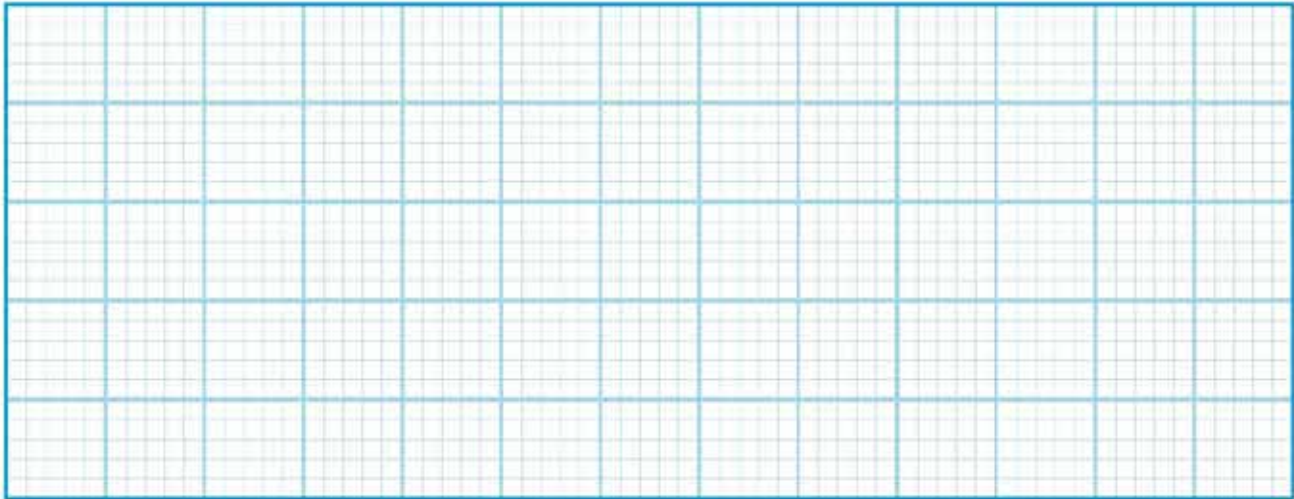
Q3. Can I use the same grate on Storm Mate and Storm Drain?










A. All our grates for Storm Mate, Storm Drain, Rain Mate, Rain Drain and Rain Drain Trade are interchangeable and fit each channel perfectly. Simple click grate into channel! Storm Master and Polymer Concrete channel have their own grate ranges.



DIY Drainage Planner

Design your own drainage system



Component	Qty	<input checked="" type="checkbox"/>	Component	Qty	<input checked="" type="checkbox"/>	Component	Qty	<input checked="" type="checkbox"/>
Slim-line Pit 1 		<input type="checkbox"/>	Leaf Guard 4 		<input type="checkbox"/>	End Cap 7 		<input type="checkbox"/>
Joiner 2 		<input type="checkbox"/>	End Outlet 5 		<input type="checkbox"/>	Tee Piece 8 		<input type="checkbox"/>
3m Channel 3 		<input type="checkbox"/>	90° Corner 6 		<input type="checkbox"/>	1m Channel 9 		<input type="checkbox"/>

Grate Options	<input type="checkbox"/> Black	<input type="checkbox"/> Terracotta	<input type="checkbox"/> Sandstone	<input type="checkbox"/> Stainless Steel	<input type="checkbox"/> Portland Grey	<input type="checkbox"/> Heritage Green
----------------------	--------------------------------	-------------------------------------	------------------------------------	--	--	---

Installation Instructions for Storm Drain



1. Dig the trench

Form trench for ReIn Storm Drain System allowing for a 50mm bed of packed sand and wide enough for a minimum of 100mm backfill of concrete on each side. Allow slope of approximately 30cm to every 20m.



2. Insert End Cap or End Outlet

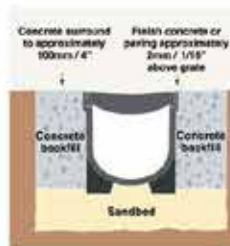
Join ReIn Storm Drain System. Joins and End Caps may be sealed with silicone. Use ReIn End Cap at highest point of ReIn Storm Drain Channel. Connect the low end of the Storm Drain Channel to a Rainwater Pit, or, using 90mm PVC pipe use built in Bottom

Outlet, or fit an End Outlet to allow water to clear. Lay Storm Drain Channel out with 90° Corner Piece or Tee Piece connected and End Cap fitted prior to concreting.



3. Snap together lengths

Storm Drain Channel can be cut to length with a hacksaw, install with grate fitted. Protect grate with masking tape during concrete pour.



4. Finish

Top of grate must be 2mm below concrete or paver surface. Allow 72 hours for concrete to cure before vehicle use or removal of grates.

100% Recycled Plastic

