

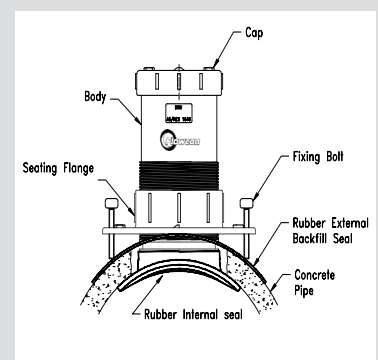
Connect faster.

Conconnect® is an innovative new system for connecting PVC pipe to re-enforced concrete pipes, pits and tanks.

Conconnect® can literally save you hours on every job by eliminating the need for messy mortar or sealing compounds. What's more, the unique flange design prevents the pipe from moving after fitting, so you can backfill straight away.

Conconnect®

- seals both internally and externally
- installed in less than a minute after break-in
- no exposed reinforcement
- no messy sealing compounds or mortar
- no pipe penetration
- no backfill can enter receiving pipe
- tight and secure connection guaranteed
- no securing bands necessary
- no need to unearth whole pipe for installation
- also compatible with StormPRO and FRC pipes
- connects to 300mm – 2100mm pipe diameter
- available in 100mm and 150mm
- New Zealand patent number 581490



Code	Item	Size
conc100	Flowcon PVC Connect	100mm
conc150	Flowcon PVC Connect	150mm