



AQUALINE



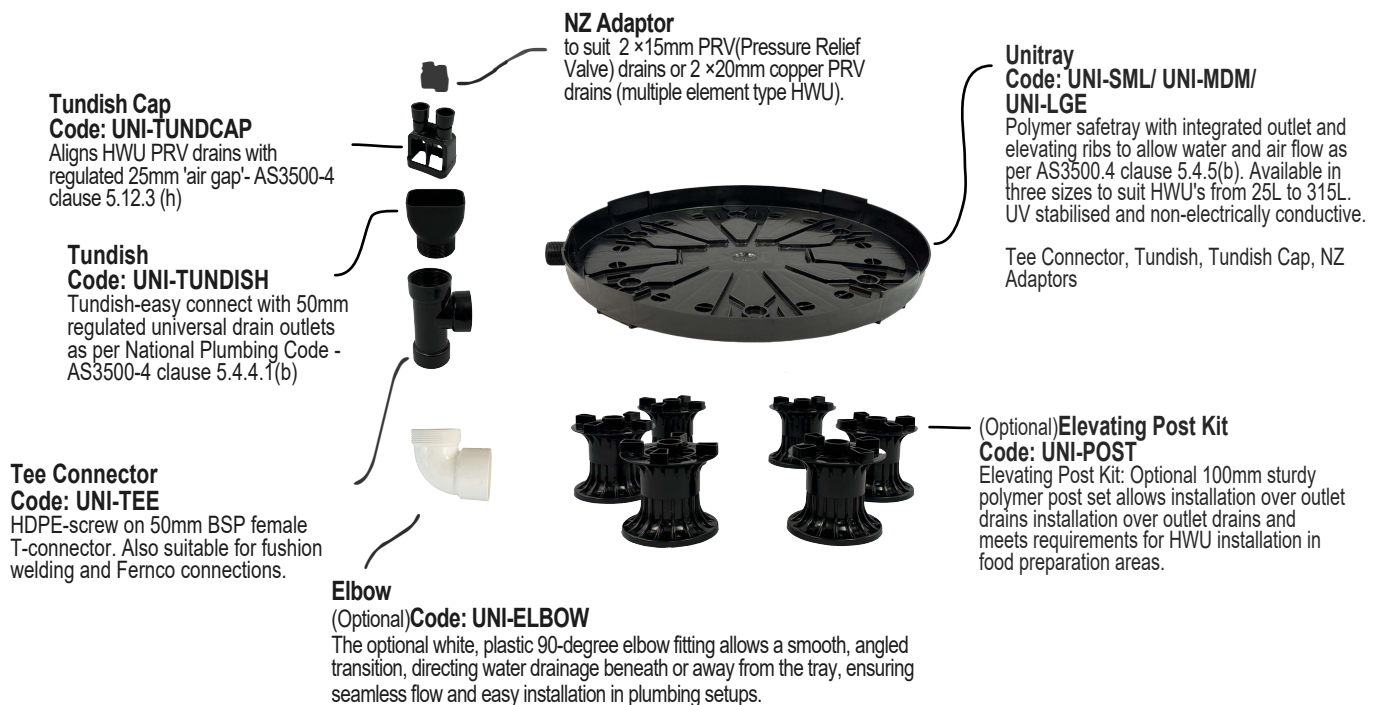
Hot Water System Installation Made Easy

UNITRAY Details

The UNITRAY concept was born out of the desire to improve the speed and ease of installation of safe trays for hot water units and to ensure that installations are compliant with the AS3500 plumbing first time, every time. The UNITRAY reduces time, costs and hassles when installing a hot water unit.

UNITRAY System Benefits

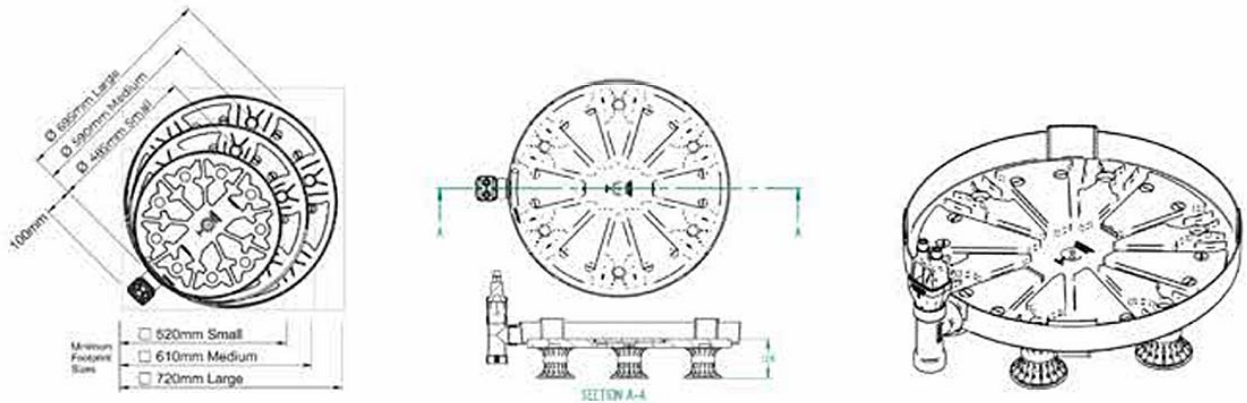
- Easily & rapidly assembled - representing significant labour cost savings over current methods.
- Design complies with and exceeds AS 3500 National Plumbing code requirements.
- No soldering, brazing or gluing involved in tray assembly - threaded, HDPE fusion welded and Fernco connection compatible.
- Tray design engineered and certified to support and maximum load requirements.
- Manufactured from non-electrically conductive material for safe installation.
- Manufactured from Ultra Violet (UV) light stabilized materials suitable for long term external use to a minimum of 20 years
- Circular space saving design fits into smaller positions where square type trays may not.
- Multiple size trays available to suit HWU's from 25 litre to 315 litre capacities.



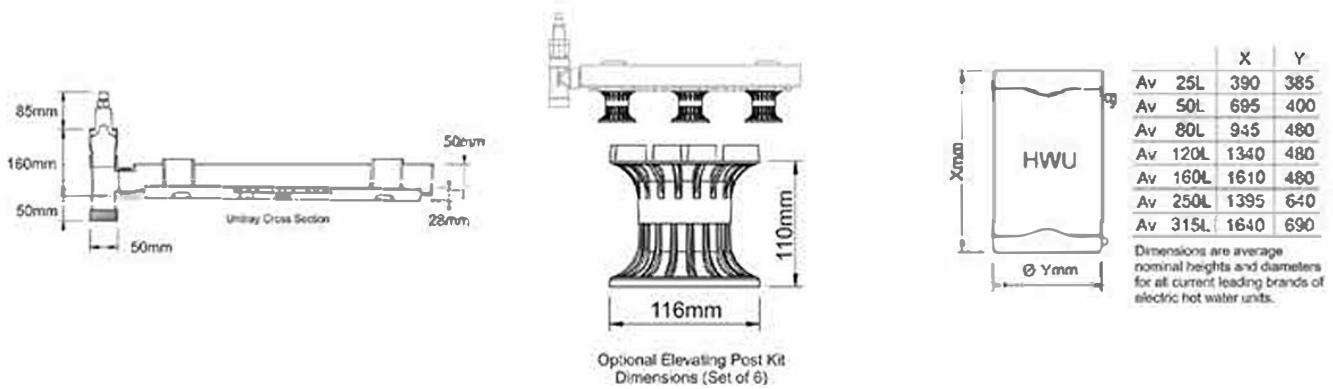
UNITRAY Specifications

The dimensions for the UNITRAY, elevating posts (where required) and hot water units indicated below will assist plumbers with the fitment of hot water units within cupboards and tight spaces generally.

It is advised where exact heights of hot water units are required, access to the brands web page to determine published dimensions. Hot water unit dimensions indicated below are average only not brand specific and may vary from brand to brand.



WITH OPTIONAL ELEVATING POSTS AND 90° ELBOW TO ALLOW DRAINAGE CONNECTION UNDER HWC UNI



UNITRAY Configurations





Ready to buy Unitray?

Talk to your local
supplier

contact  AQUALINE

0800 88 99 14

enquiries@aqualine.co.nz

or visit **aqualine.co.nz** to check out our stockist locator

