

Cylinder Quick Specification



Cylinder
Quick™

NZ'S TIDY SAFE
TRAY SOLUTION

Product Description

Cylinder Quick is a specifically designed box and tray system for hot water cylinder installations.

Manufactured from low pressure laminate moisture resistant board, Cylinder Quick boxes are strong and elevated to ensure cables and pipe work are protected from contamination and pests while still providing ventilation.

Cylinder Quick units come flat packed and can be assembled in less than 5 minutes.

Scope of Use

- New Residential and commercial projects
- New Single and Multi Level projects
- New Cylinder Installations and Replacement of Existing Cylinders

Compliance

Cylinder Quick units comply with:
G12/AS1 clause 5.2.3 of the NZ Building Code
AS/NZS 3500.4:2021

Design Guidelines

Specification and installation must be in accordance with Cylinder Quicks installation requirements and with the Building Code.

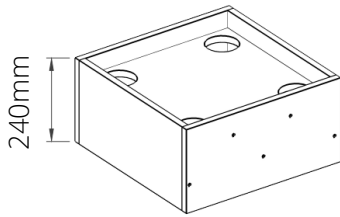
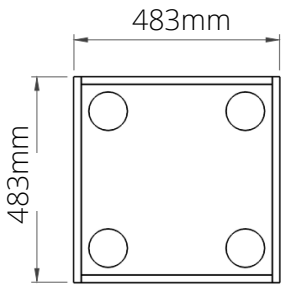
As per AS/NZS 3500.4:2021 and G12/AS1 5.2.3, the cylinder must be installed with a suitably drained safe tray.

Product Limitations

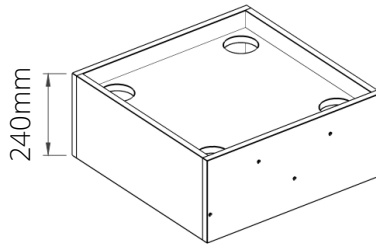
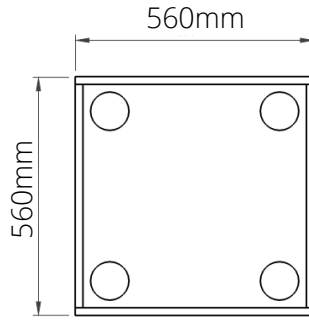
Cylinder Quick units are not suitable for outdoor use.

Product Drawings

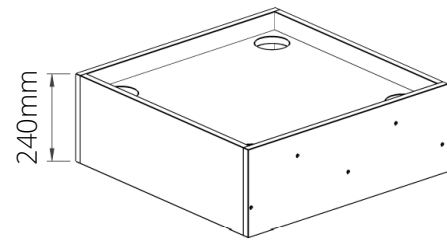
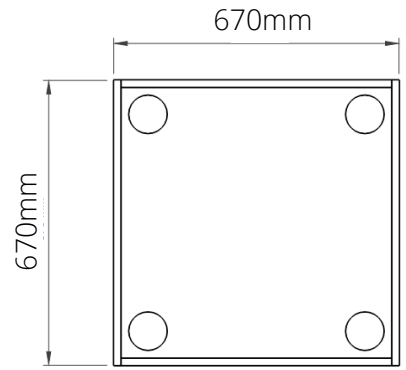
Small



Medium



Large



Sizes

Size	L x W x H (mm)
Small	483 x 483 x 240
Medium	560 x 560 x 240
Large	670 x 670 x 240

Installation/Maintenance Requirements

To be installed in accordance with all Cylinder Quick installation requirements and by a licensed gasfitter/plumber.

For reliable operation Cylinder Quick stands should be maintained and serviced as required.

Installation, servicing and repair shall be carried out only by authorised personnel.

Product Warranty

Standard Cylinder Quick warranty applies.

Refer to Cylinder Quicks Warranty Statement at www.cylinderquick.co.nz for more information.